

Installation instructions for PZ4AL-01561-00

Under Run Protective Shield Engine Bay and Transmission Case

## TOYOTA Corolla Verso



## TOYOTA Verso



## TOYOTA Avensis



Model Year: **Corolla Verso - 2009**

**Verso - 2012**

**Avensis - 2009**

**Avensis - 2011**

Vehicle Code: ZGR20L-GWFDPW  
ZGR21L-GWXDPW  
ZGR21L-GWFEPW  
ZGR21L-GWXEPW  
ZGR21L-GWXEPW

ZGR20L-GWFDPW  
ZGR21L-GWFEPW  
ZGR21L-GWXDPW  
ZGR21L-GWXEPW  
ZGR21L-GWXEPW  
7 мсТ

ZRT270L-AEFNPW  
ZRT271L-AEFNPW  
ZRT271L-AEXNPW  
ZRT271L-AEFEPW  
ZRT271L-AEXEPW  
ZRT272L-AEXGPW  
ZRT271L-AWFNPW  
ZRT271L-AWXNPW  
ZRT271L-AWXEPW  
ZRT272L-AWXGPW

ZRT271L-AEFNPW  
ZRT271L-AEXNPW  
ZRT271L-AEFEPW  
ZRT271L-AEXEPW  
ZRT271L-AEXGPW  
ZRT271L-AWFNPW  
ZRT271L-AWXEPW

Part Number:

PZ4AL-01561-00



Weight:

7,15 kg



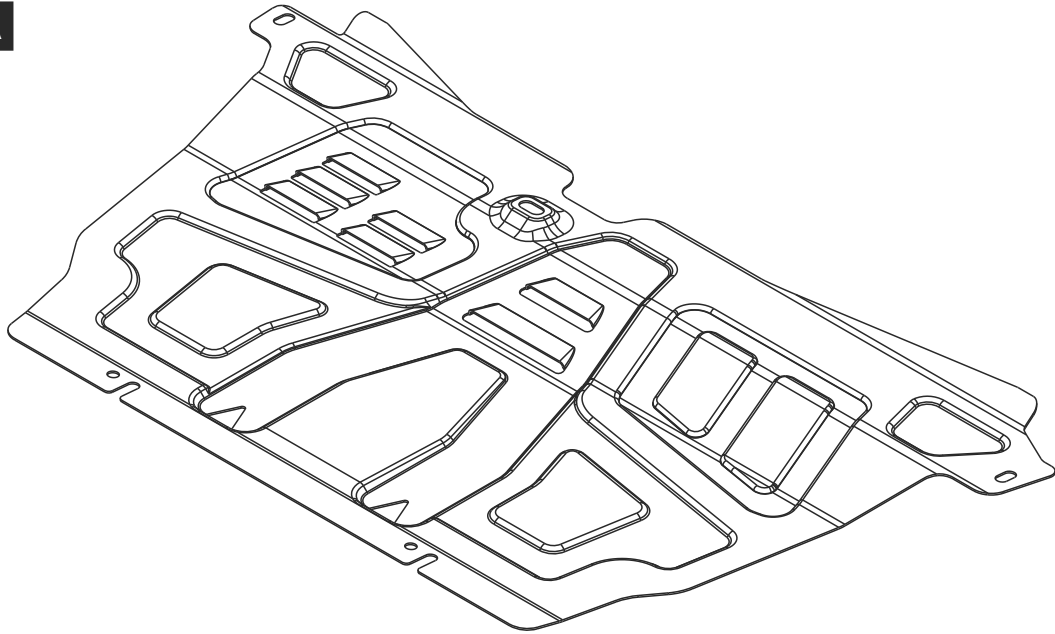
Installation Time:

25 min

Manual reference number:

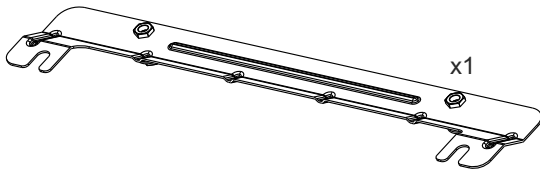
AIM 001 763-0

**A**

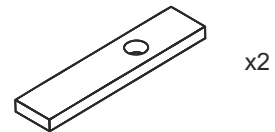


PZ4AL-01561-60

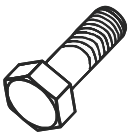
**B**



**C**



**D**



4x M10x20

**E**



4x Ø 10

**F**

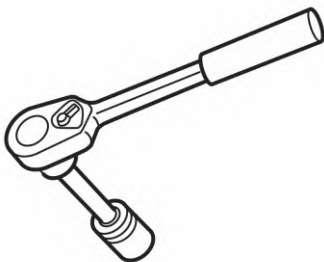


1x M12x1,25x20

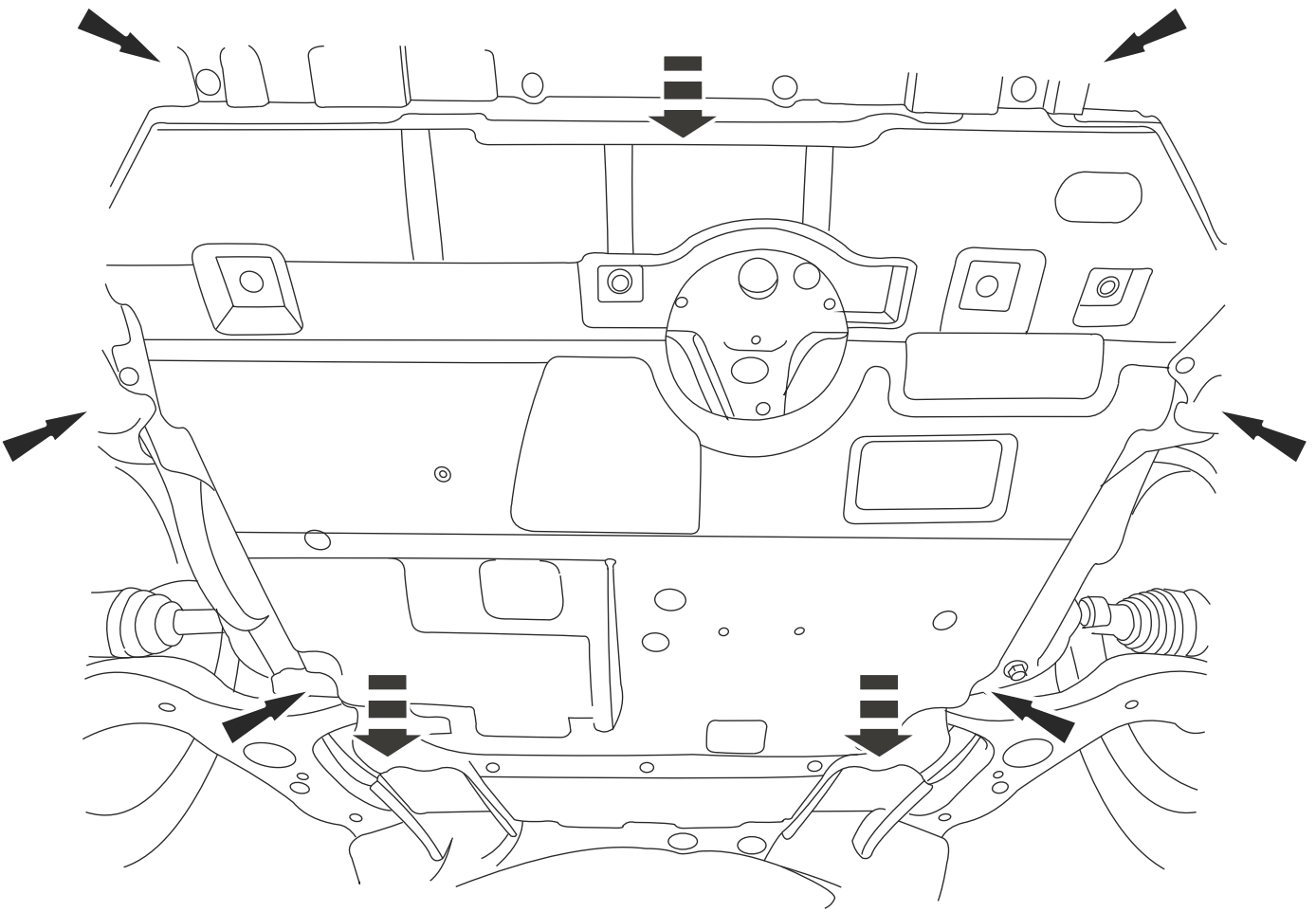
**G**



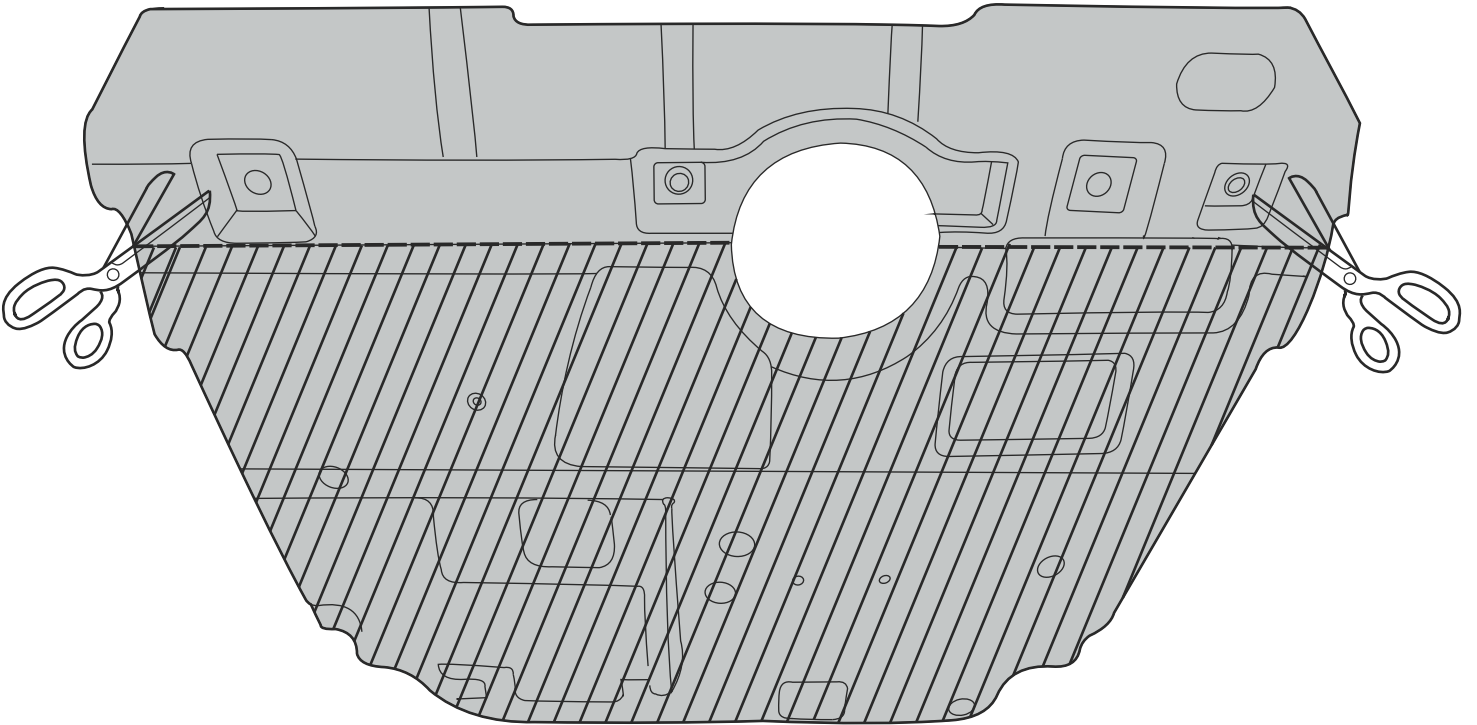
1x Ø 12



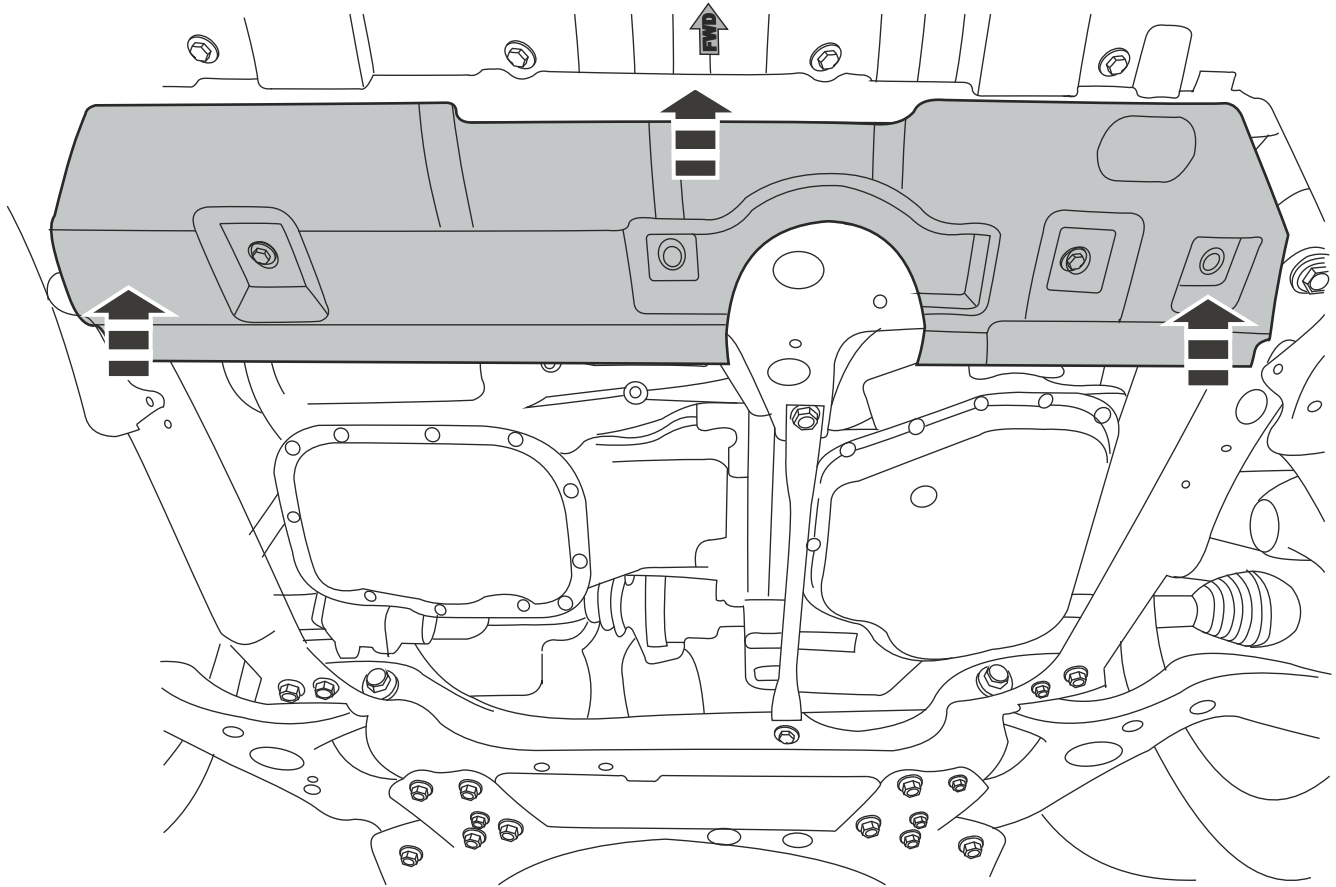
**1**



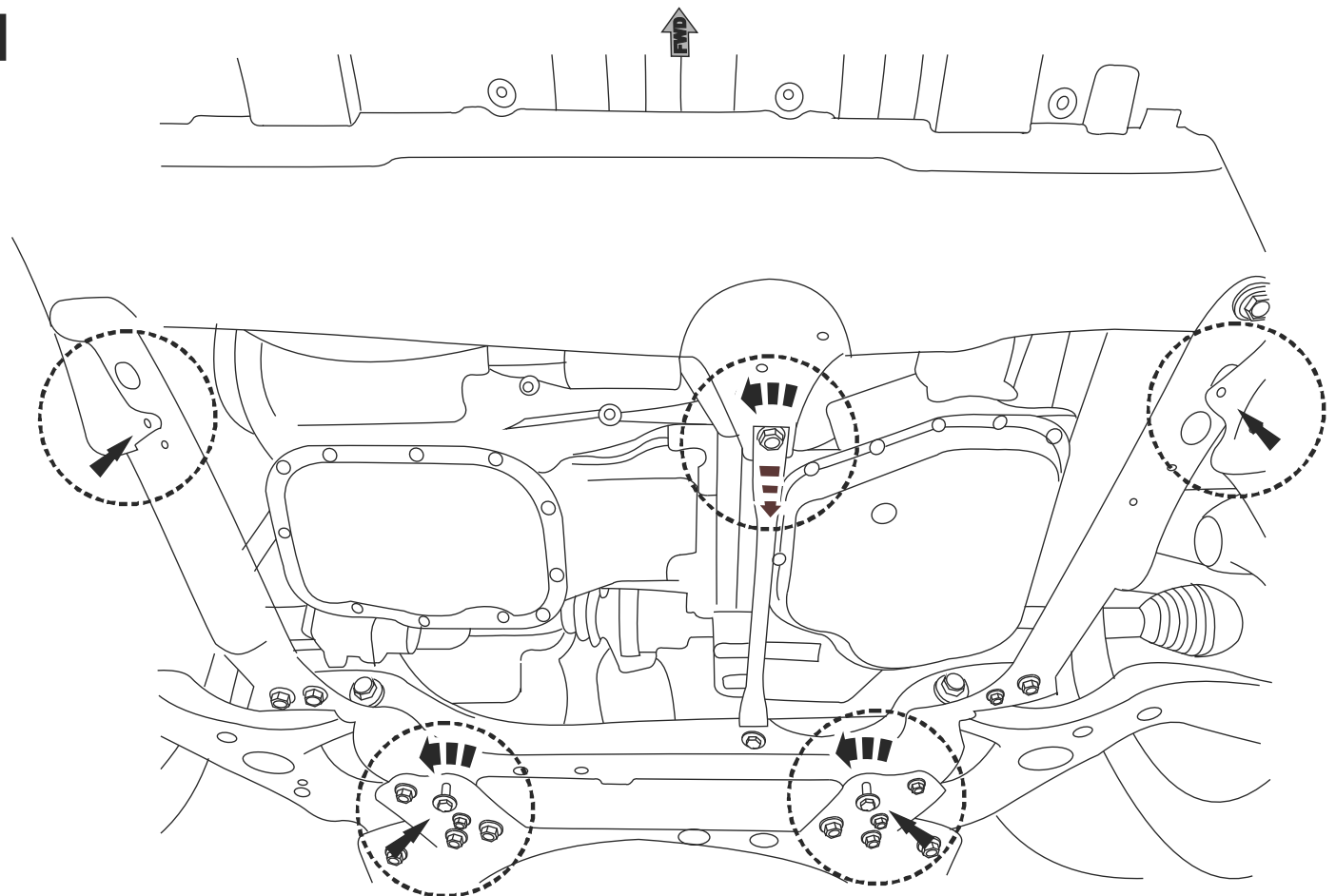
**2**



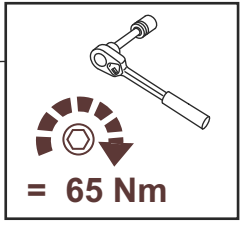
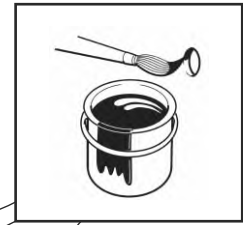
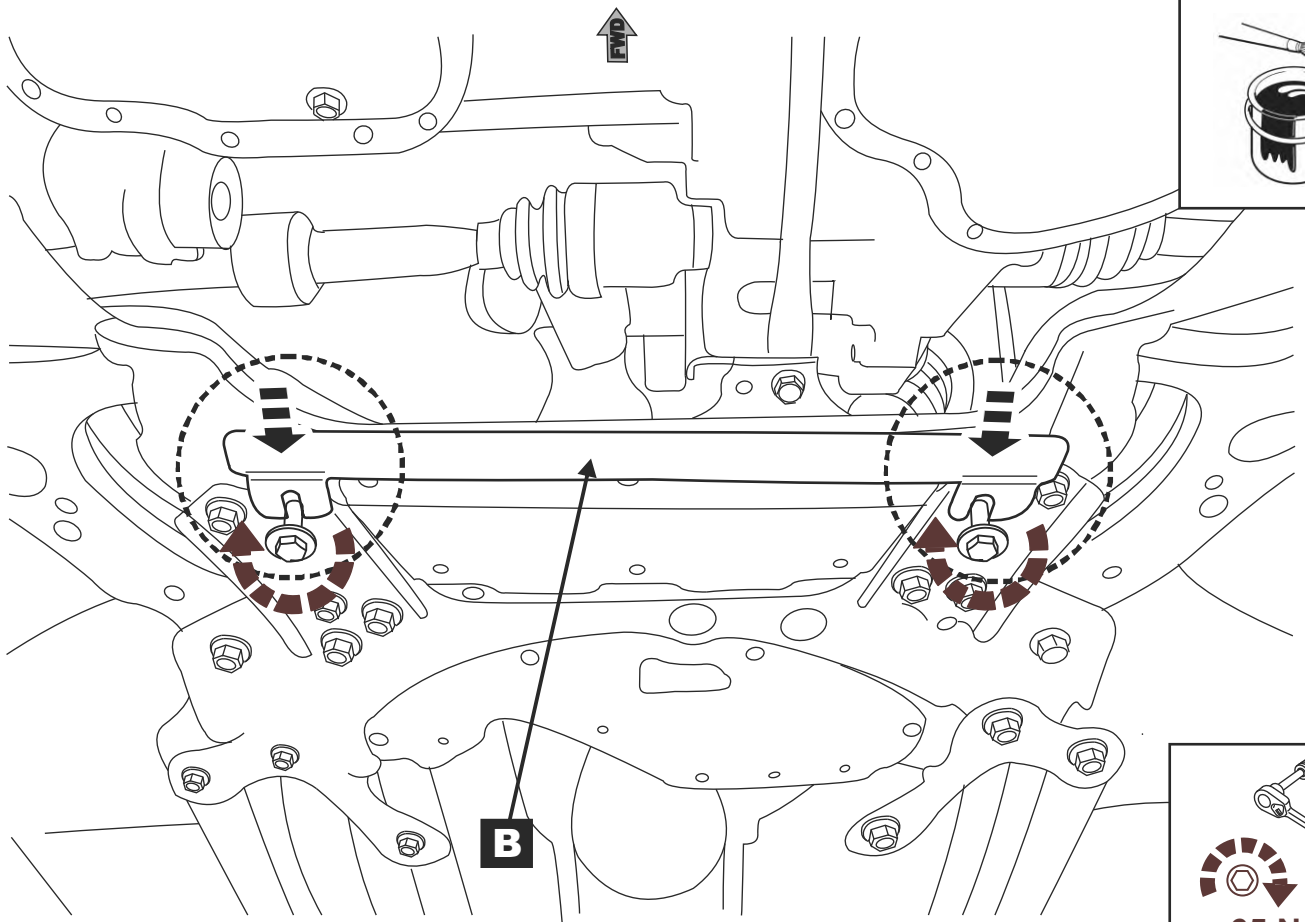
**3**



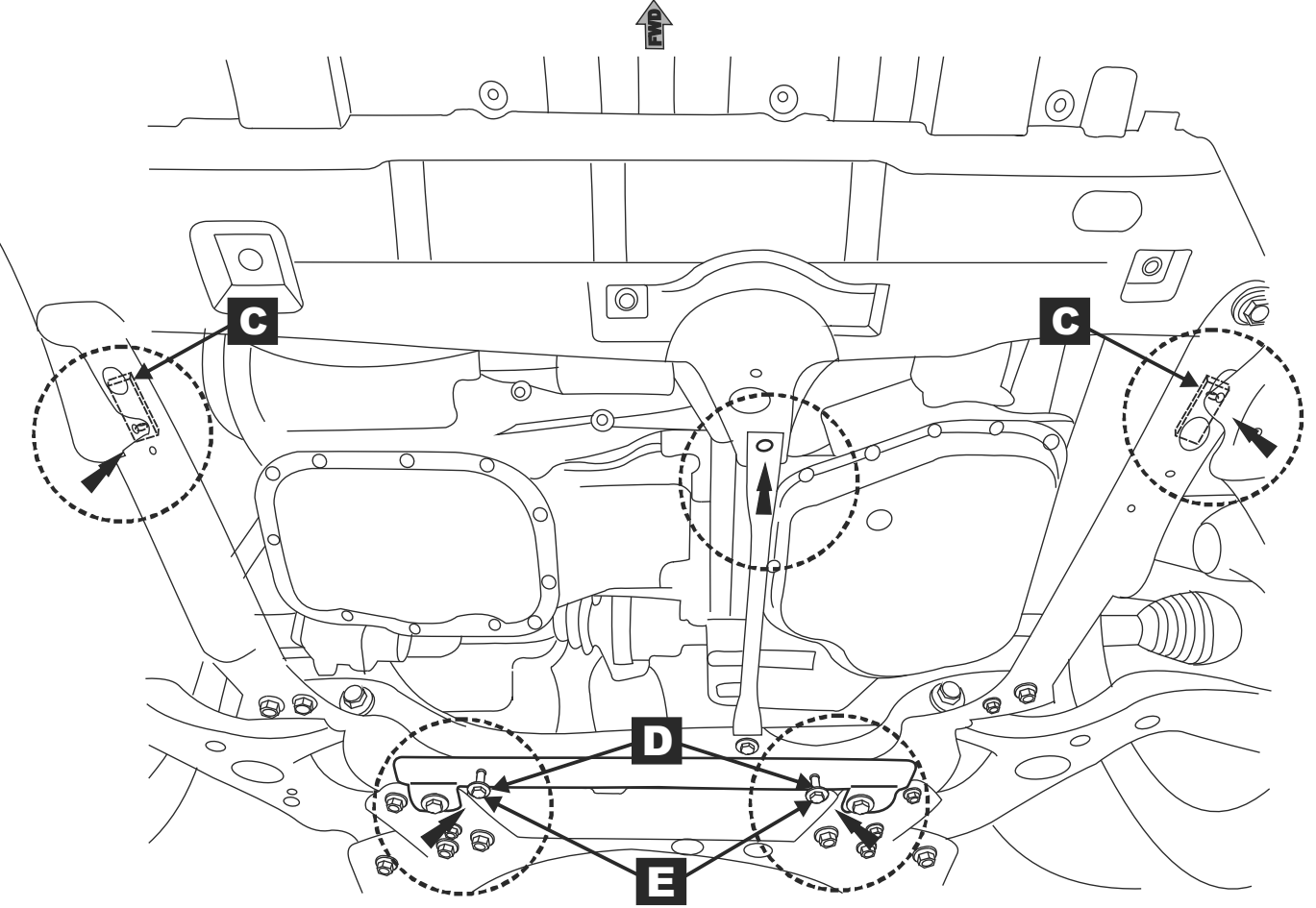
**4**



**5**

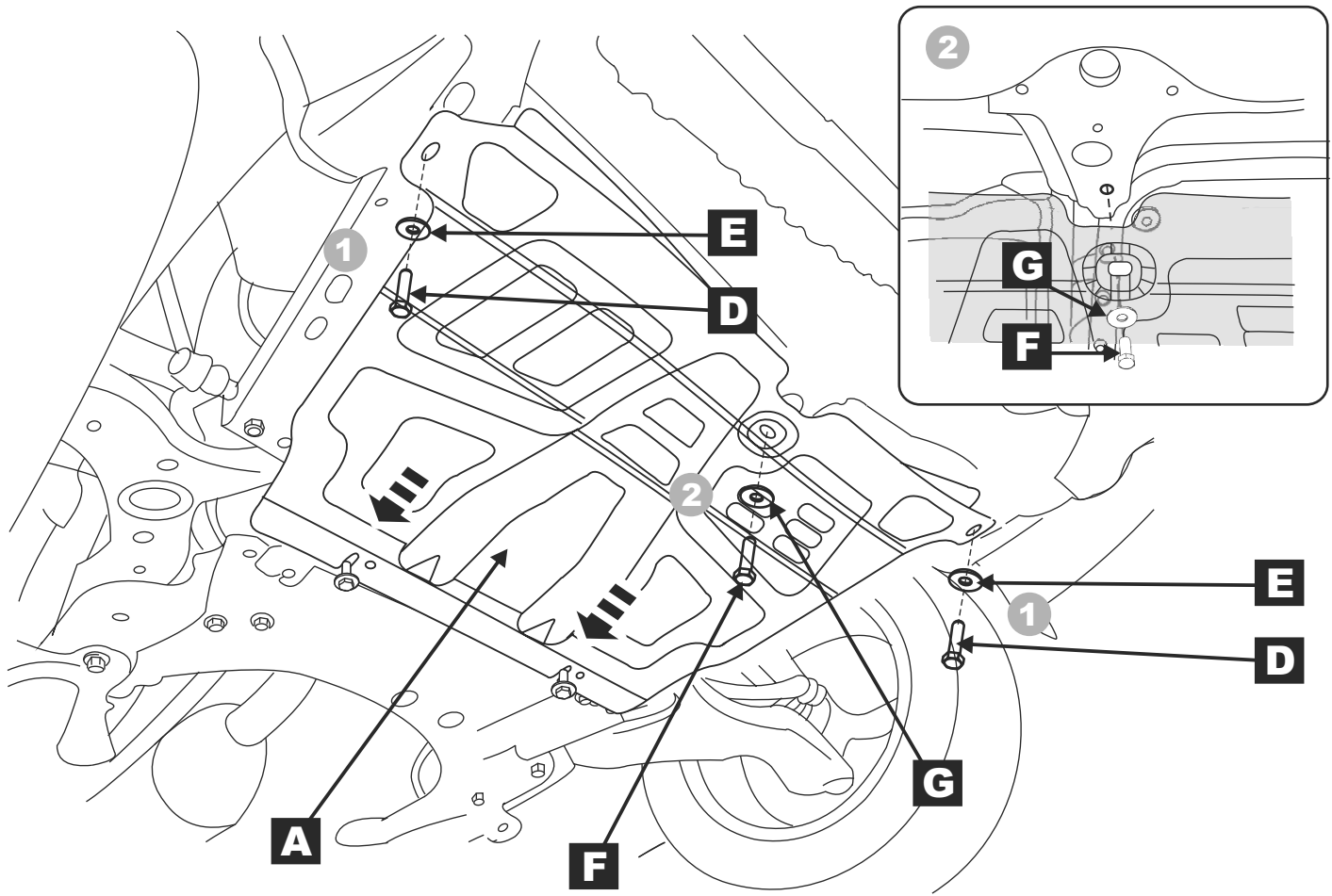


**6**





**7**



**8**

